

CONNECTION PLATES SC

Description



Connection plates are mounted on hydraulic actuators AH, AS, AG and AT series. On connection plate type SC it is possible to attach one or more servovalves. Multivalve and a delta P plate with stabilisation throttle valve and outputs for measuring of pressure difference is possible to place between connection plate and servovalves. On connection plate a pressure line (P) and drain line (R) as well as accumulators are connected. For hydraulic actuators with hydrostatic bearings (AH series) connection plate provides supplying of these bearings. Drain of oil from bearings (L) is led outside of connection plate across the manifold into the oil tank of hydraulic power unit.

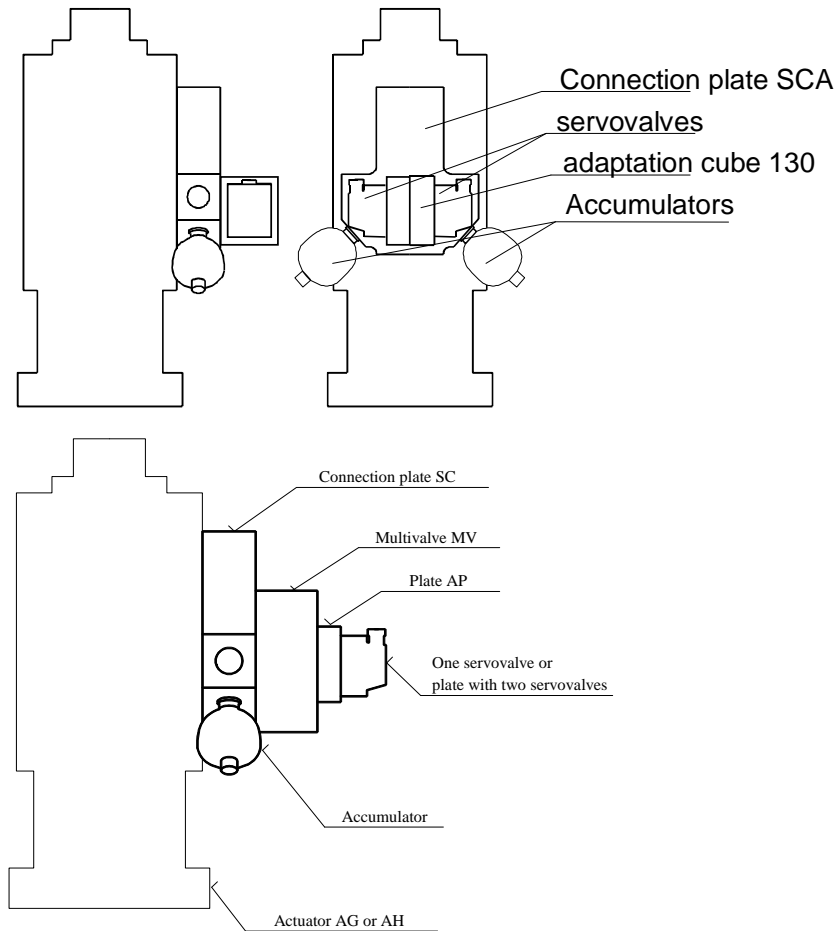
Type identification key **SCA 65 – 100** — stroke of the hydraulic actuator (mm)

nominal flow (l/min)

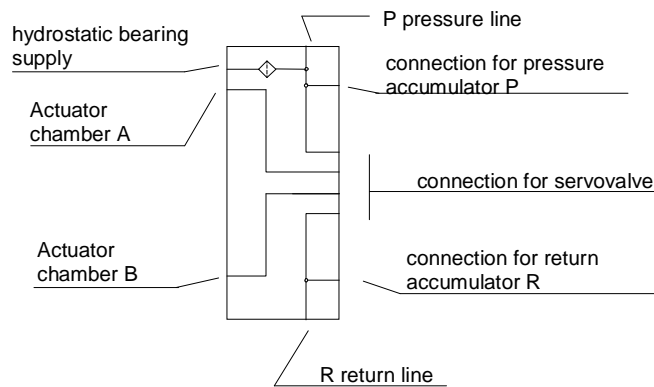
 A - linear actuator

 T - rotary actuator

Specifications



Hydraulic diagram



Type	SCA 65	SCA 130	SCA 250
connection thread P	G 3/4	G 1	G 1 1/2
T	G 3/4	G 1	G 1 1/2
intended for hydraulic actuators	AH 10 - AH 1000	AH 25 - AH 1000	AH 40 - AH 1000
number of servovalves	1 x D 760	up to 2 x D 760	up to 4 x D 760