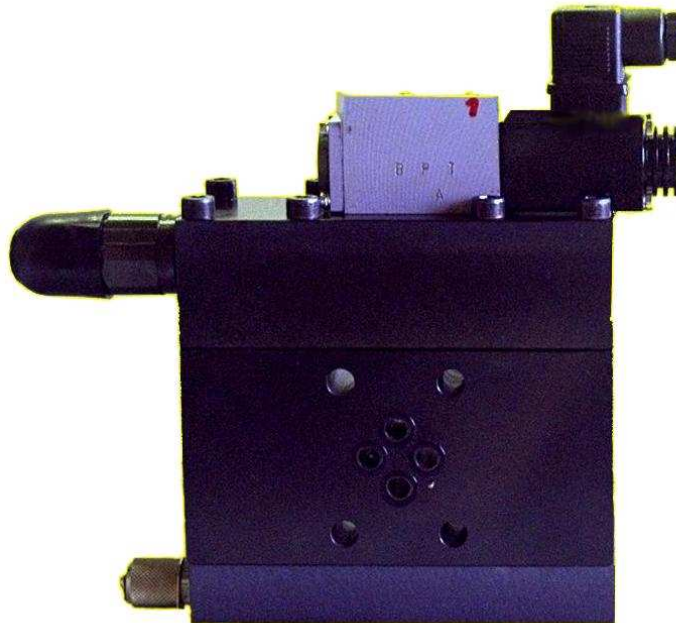


Multivalve Series MV

Product description



Multivalve MV is mounted on the connection plate SC of the hydraulic actuator. A plate for measuring of pressure difference (selectively) and servovalves are mounted on the multivalve. The multivalve is produced in three modifications.

Modification 01 secures the limitation of the overpressure in the chamber of the hydraulic actuator. Permitted maximum overpressure is fixed at 150% of feeding pressure.

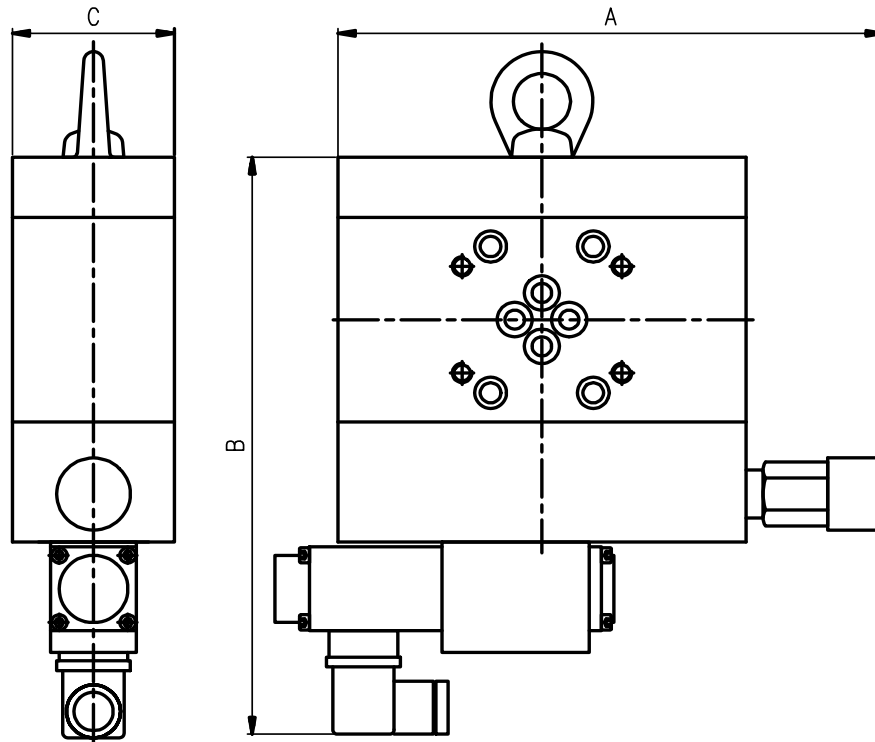
Modification 02 and 03 enables manual setting of the limiting of maximum power of the hydraulic actuator in the range from 3 to 100% of nominal power. Multivalve of the modification 03 contains in addition electrically controlled unloading of the hydraulic actuator corresponding limitation of maximum power of the hydraulic actuator at the value of approximately 1% of nominal power. It is possible to use this function for instance for bumpless connection of the hydraulic actuator to the oil distributing main.

Type identification key: MV - 65 - MO1 ——— modification
 L ————— nominal flow (l/min)

Basic Configuration

- Multivalve with fastening screws into plate SC

Specifications



Type		MV 65	MV 130	MV 250	
nominal flow	l/min	65	130	250	
maximal flow	l/min	130	260	500	
operating pressure	MPa	28			
feeding voltage	V	24			
consumption of the distributing valve	A	0,8			
reaction time of power limiting (type.)	ms	2			
reaction time of unloading (type.)	ms	50			
size:	A	mm	230	270	372
	B	mm	258	300	310
	C	mm	70	80	100