

Cardan Joints Series JC

Product description



Cardan joints JC series are used in case of nonaxial loading chain. They are usually mounted in couple. The first joint is mounted to the lower flange of hydraulic actuator and the second joint to the piston rod. Cardan joints make possible 8° bending in all directions. They are determinate for tensile and pressure loading. Cardan joints are clearance less and have a long life time.

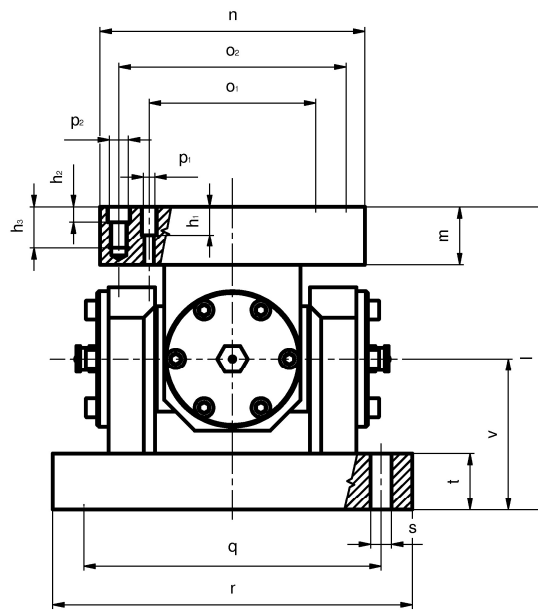
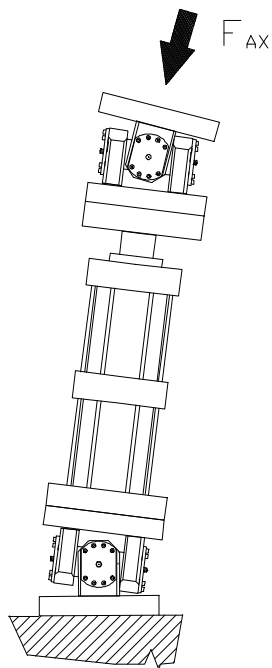
The lower flange of a joint is mounted to a foundation block or to a loaded object. The upper flange of a joint can be mounted as to a lower flange of a hydraulic actuator as to a load cell as to a piston rod of hydraulic actuator. Mounting of cardan joint JC is direct to the lower flange of hydraulic actuators series AG and AH and to the load cell up to JC 160. For mounting to load cells from 250 kN and to piston rod adapter plates are used.

Type identification key: JC - H - 63 - M01

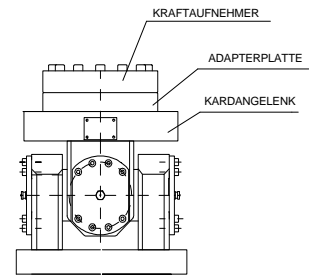
- connection flange (see table)
- nominal load (kN)
- H - for actuators series AH
- G - for actuators series AG

connection flange	code
to actuator lower flange	M01
to load cell	M02
to actuator piston rod	M03
customer defined	M04

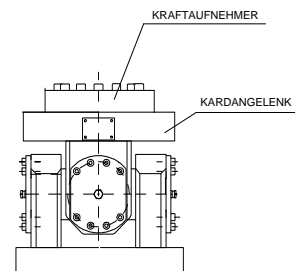
Specifications:



Abmessungen gelten für Modifikationen M01 und M02



JC 250 - JC 1000



JC 25 - 160

Type		JC25	JC63	JC160	JC250	JC400	JC630	JC1000
nominal load	kN	25	63	160	250	400	630	1000
Connection to load cell								
o ₁	mm	80	86	130	194	235	267	296
p ₁	mm	8xM6	8xM6	8xM10	8xM16	8xM20	8xM24	8xM24
h ₁	mm	13	13	30	25	25	30	35
Connection to actuator								
o ₂	mm	110	120	180	245	290	320	380
p ₂	mm	8xM8	6xM10	12xM10	12xM16	12xM16	12xM20	12xM24
h ₂	mm	0	11	0	0	0	0	0
h ₃	mm	26	31	25	32	30	40	50
Connection flange to specimen or base plate								
n	mm	130	140	215	285	350	410	550
m	mm	26	31	55	55	60	75	80
r	mm	175	190	240	365	390	455	600
t	mm	24	30	35	45	50	55	70
q	mm	155	168	220	335	360	420	560
s	mm	8xØ9	6xØ11	12xØ11	12xØ17,5	12xØ17,5	12xØ22	12xØ24
l	mm	150	161	230	290	340	390	460
v	mm	74	80	105	140	165	185	225
weight	kg	12,5	18	47	122	190	310	660

Press date 12.12.2006 - Subject to change without notice