



## BALL JOINTS JBS

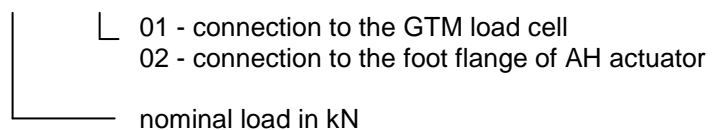
### Product description



Ball joints JBS are used for connection of the hydraulic actuator with the tested specimen either in case of changing angle between the axis of the hydraulic actuator and the axis of the specimen or in case of need to compensate the bending moments. The ball joints JBS are backlash-free. The maximal dynamic loading is 80% of nominal load of the ball joint.

The backlash-free ball joints JBS are suitable for tensile - compression loading. The bearing of the joint have plastic lining for minimal friction and maximal service life. Two modifications of JB ball joint are delivered. The modifications differ in the dimensions of their one connecting face to cylinder. The second connecting face of all modifications (used for the connection to the tested specimen) is same.

### Type Identification Key JBS 200 Mxx

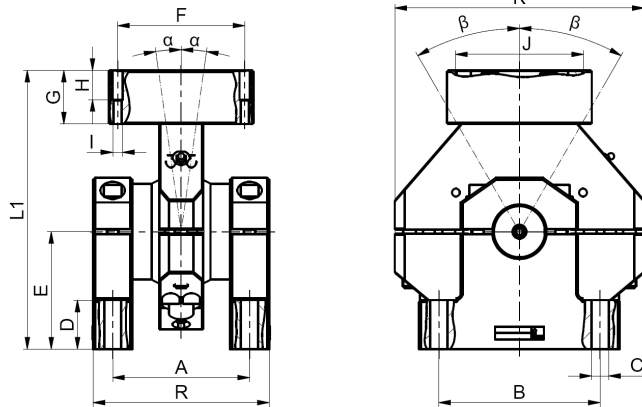




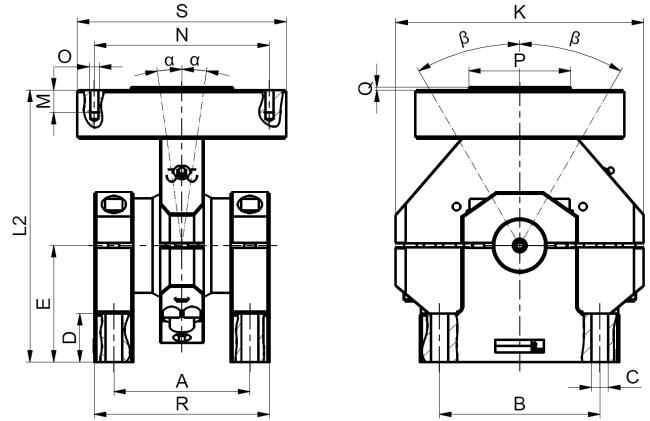
# Inova Testing Systems

## Specifications:

JBS XXX M01



JBS XXX M02



Type			JBS 50	JBS 100	JBS 200	JBS 350	JBS 500	JBS 1000
dimension	A	mm	100	140	180	230	270	290/410
	B	mm	125	165	225	285	310	425
	C	mm	4x Ø13,5	4x Ø17,5	4x Ø24	4x Ø29	4x Ø32	8x Ø25
	D	mm	35	50	75	100	100	150
	E	mm	85	120	160	210	225	350
	F	mm	86	130	194	235	235	200
	G	mm	35	55	105	125	125	180
	H	mm	15	30	65	80	80	25
	I	mm	8x M6	8x M10	8x M16	8x M20	8x M20	12 x M24
	J	mm	87,5	131,4	171	203	203	-
	K	mm	138	255	330	425	470	780
	M	mm	35	23	30	30	35	40
	N	mm	120	180	245	290	320	380
	O	mm	6x M10	12x M10	12x M16	12x M16	8x M20	12 x M24
	P	mm	-	105	105	105	105	105
	Q	mm	-	3	3,5	3,5	3,5	3,5
	R	mm	130	180	235	305	360	480
	S	mm	140	215	285	330	350	420
	L1	mm	214	285	405	534,5	589,5	850
	L2	mm	214	280	365	484	555	750
	α	°	± 8	± 8	± 8	± 8	± 8	± 8
	β	°	± 30	± 30	± 30	± 30	± 30	± 30
Mass of M01 modif.	kg		14	40,5	108,5	225	225	770
Mass of M02 modif.	kg		16	48	114	225	225	

Press date 20.02.2009 - Subject to change without notice